

NOTE: It is our policy to continually improve products and as such we reserve the right to alter data, specifications and component parts without prior notice. There may be alternative versions of this product, please contact us should you require this information.

IMPORTANT: No liability is accepted for incorrect use of product. Spare parts must be fitted by a competent person

WARRANTY: Guarantee is 12 months from purchase date, proof of which will be required for any claim.



Parts Information:
**Viking Floor Type Hydraulic Press 30
 Tonne**
Model No: PPF30S

Item	Part No.	Description
1	FUSN-ZG0002	Oil Pump Assembly
2	SWM6.S	Spring Washer M6 Zinc
3	SS620.S	Hex Head Set Screw M6 x 20mm Zinc
4	FUSN-ZE0008	Frame Assembly
5	FUSN-L06115	Pulley Protection Cover Assembly (A)
6	FUSN-L0190042	Pulley
7	FUSN-L06081	Frame Pin Ring
8	FUSN-ZF0013	Ram Cylinder Assembly
9	FUSN-L06073	Press Tray
10	FUSN-ZE2002	Foot Assembly
11	SS1025.S	Hex Head Set Screw M10 x 25mm Zinc
12	NLN10.S	Nyloc Nut M10 Zinc
13	FUSN-L07Y107	Protection Plate Cover
14	SS616.S	Hex Head Set Screw M6 x 16mm Zinc
15	FUSN-L20085	Wire Rope Cable Lock
16	FUSN-L0190061	Bed Frame Pin
17	FUSN-L05100019	E-Clip
18	FUSN-ZE1002	Bed Frame Assembly
19	FUSN-L0190064	V-Block Assembly
20	FUSN-L0190068	Winch Handle
21	FUSN-L03100022	Pin for Winch Handle
22	FUSN-L03010009	Protection Cover Screw M4 x 12mm
23	SCB640.SB	Socket Cap Bolt M6 x 40mm Black
24	NLN6.S	Nyloc Nut M6 Zinc
25	FUSN-L0190058	Handle Assembly
26	FUSN-L03100015	V-Spring
27	FUSN-L20086	Oil Hose Assembly
28	FUSN-L10004	Pressure Gauge, 35T -700kg/cm ² Ø110mm Bottom Fixing
29	FUSN-L02020029	Seal for Pressure Gauge, White Plastic (Ø5.7 x 8 x 1.5mm)
30	FUSN-L09002	Pressure Gauge Connector
31	FUSN-L06083	Gauge Protection Ring
32	FUSN-L06076	Pressure Release Knob (Female)

Item	Part No.	Description
33	FUSN-L0190111	Pressure Release Rod
34	FUSN-L03100021	Spring Pin Ø4 x 14mm
35	FUSN-L06078	Plastic Plug
36	FUSN-L06082	Side Cover
37	FUSN-L20087	Bed Frame Protection Plate (Right)
38	FUSN-L20058	Bed Frame Protection Plate (Left)
39	FUSN-L20091A	Wire Rope Cable Ø4 x 4700mm
40	FUSN-L0190029	Press Pin (2T)
40	FUSN-L0190026	Press Pin (3T)
40	FUSN-L0190025	Press Pin (6T)
40	FUSN-L0190024	Press Pin (8T)
40	FUSN-L0190023	Press Pin (10T)
40	FUSN-L0190022	Press Pin (12T)
40	FUSN-L0190021	Press Pin (13T)
40	FUSN-L0190020	Press Pin (15T)
41	FUSN-L07Y003	Pump Connecting Rod
42	FUSN-L03010077	Shoulder Screw (Ø8 x 30 x M6)
43	FUSN-L03010078	Shoulder Screw (Ø8 x 25 x M6)
44	FUSN-L0190031	Pump Handle Assembly
45	NLN6.S	Nyloc Nut M6 Zinc
46	FUSN-L06114	Winch Protection Cover (B)
47	FUSN-L06113	Winch Protection Cover (A)
51	FUSN-L0190222	Handle Support Plate
52	SWM8.S	Spring Washer M8 Zinc
53	SS820.S	Hex Head Set Screw M8 x 20mm Zinc
54	SN8.S	Steel Nut M8 Zinc
55	SWM10.S	Spring Washer M10 Zinc
56	FUSN-L0190238	Saddle
57	FUSN-L0190062	Top Cover for Saddle
58	GSM812.S	Grub Screw M8 x 12mm
59	FUSN-L03010082	Machine Screw M10 x 22mm
60	FUSN-L03020017	Knurl Nut M10 x 6mm
--	FUSN-L06074	Bed Frame Pin Rubber Sleeve (Not Shown)
--	FUSN-L06072	Handle Grip (Not Shown)

NOTE: It is our policy to continually improve products and as such we reserve the right to alter data, specifications and component parts without prior notice. There may be alternative versions of this product, please contact us should you require this information.

IMPORTANT: No liability is accepted for incorrect use of product. Spare parts must be fitted by a competent person

WARRANTY: Guarantee is 12 months from purchase date, proof of which will be required for any claim.

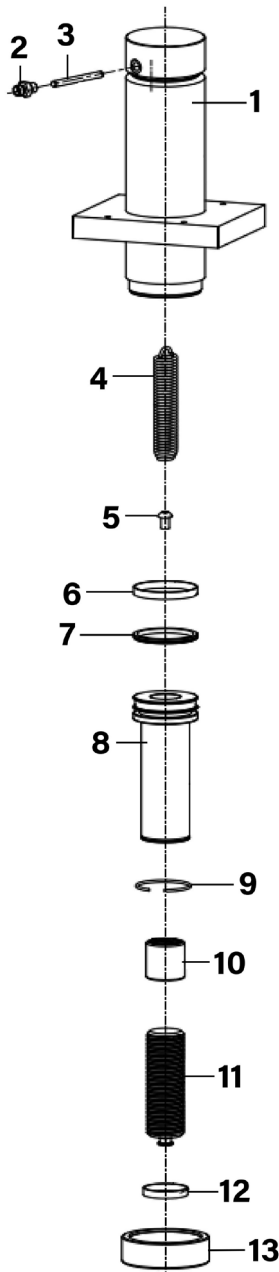
Jack Sealey Ltd t/a Sealey Group, Kempson Way, Suffolk Business Park, Bury St Edmunds, Suffolk, IP32 7AR UK

Jack Sealey (EU) Ltd t/a Sealey Group, Farney Street, Carrickmacross, Co. Monaghan, A81 PK68 Ireland

Tel: 01284 757500 · Email: sales@sealey.co.uk · Web: www.sealey.co.uk



Parts Information:
Viking Floor Type Hydraulic Press 30 Tonne
Model No: PPF30S



Item	Part No.	Description
1	FUSN-L0190235	Outer Sleeve Assembly
2	FUSN-L09003	Oil Hose Connector
3	FUSN-L03010025	Inner Hex Screw M6 x 20mm
4	FUSN-L05020094	Spring
5	FUSN-L03010015	Machine Screw Pan Head Phillips M12 x 20mm
6	FUSN-L02040121	Guide Ring
7	FUSN-L02060034	Stepped Seal
8	FUSN-L0190077	Piston Assembly

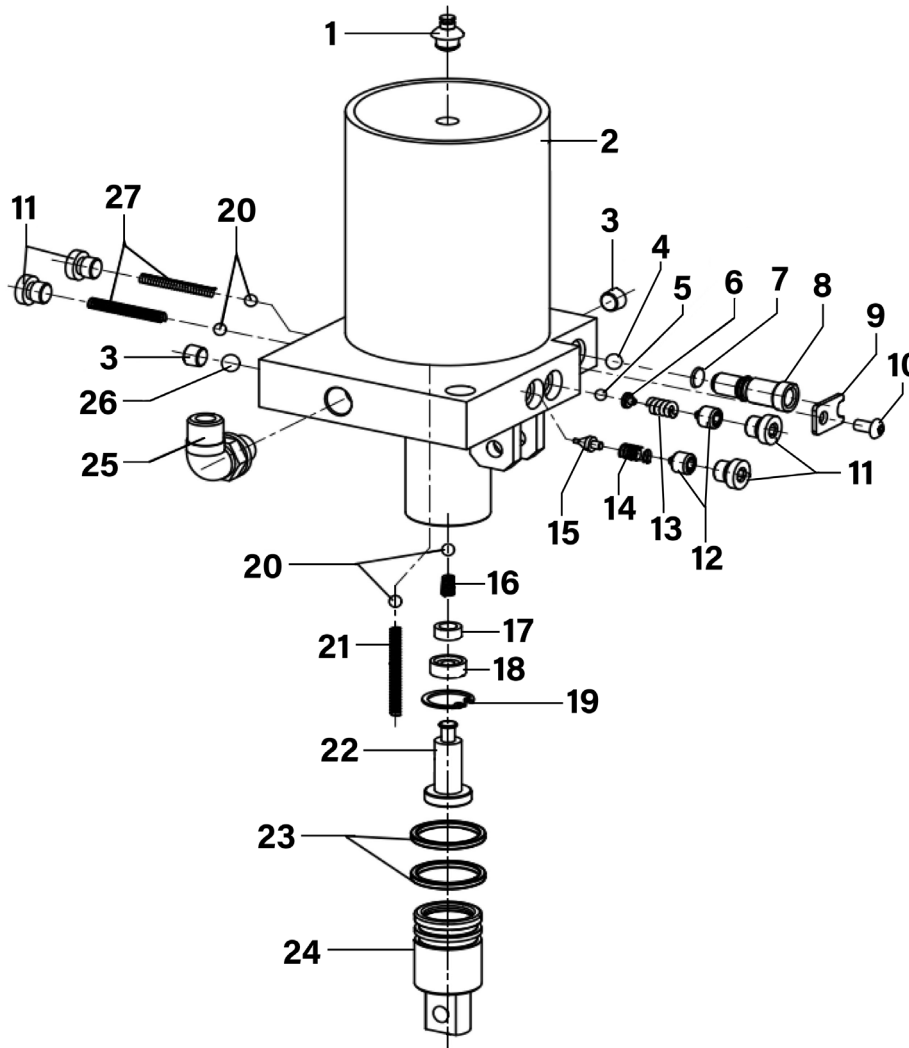
Item	Part No.	Description
9	FUSN-L05010032	Spring Locking Ring Ø2 x OD. 57mm
10	FUSN-L0190115	Connector
11	FUSN-L0190116	Arbor
12	FUSN-L02040120	Guide Ring
13	FUSN-L0190080	Outer Cylinder Sleeve
--	PPF30IS-RSK	Seal Kit for Ram Cylinder Assembly (Not Shown)

NOTE: It is our policy to continually improve products and as such we reserve the right to alter data, specifications and component parts without prior notice. There may be alternative versions of this product, please contact us should you require this information.

IMPORTANT: No liability is accepted for incorrect use of product. Spare parts must be fitted by a competent person

WARRANTY: Guarantee is 12 months from purchase date, proof of which will be required for any claim.

Parts Information:
Viking Floor Type Hydraulic Press 30 Tonne
Model No: PPF30S



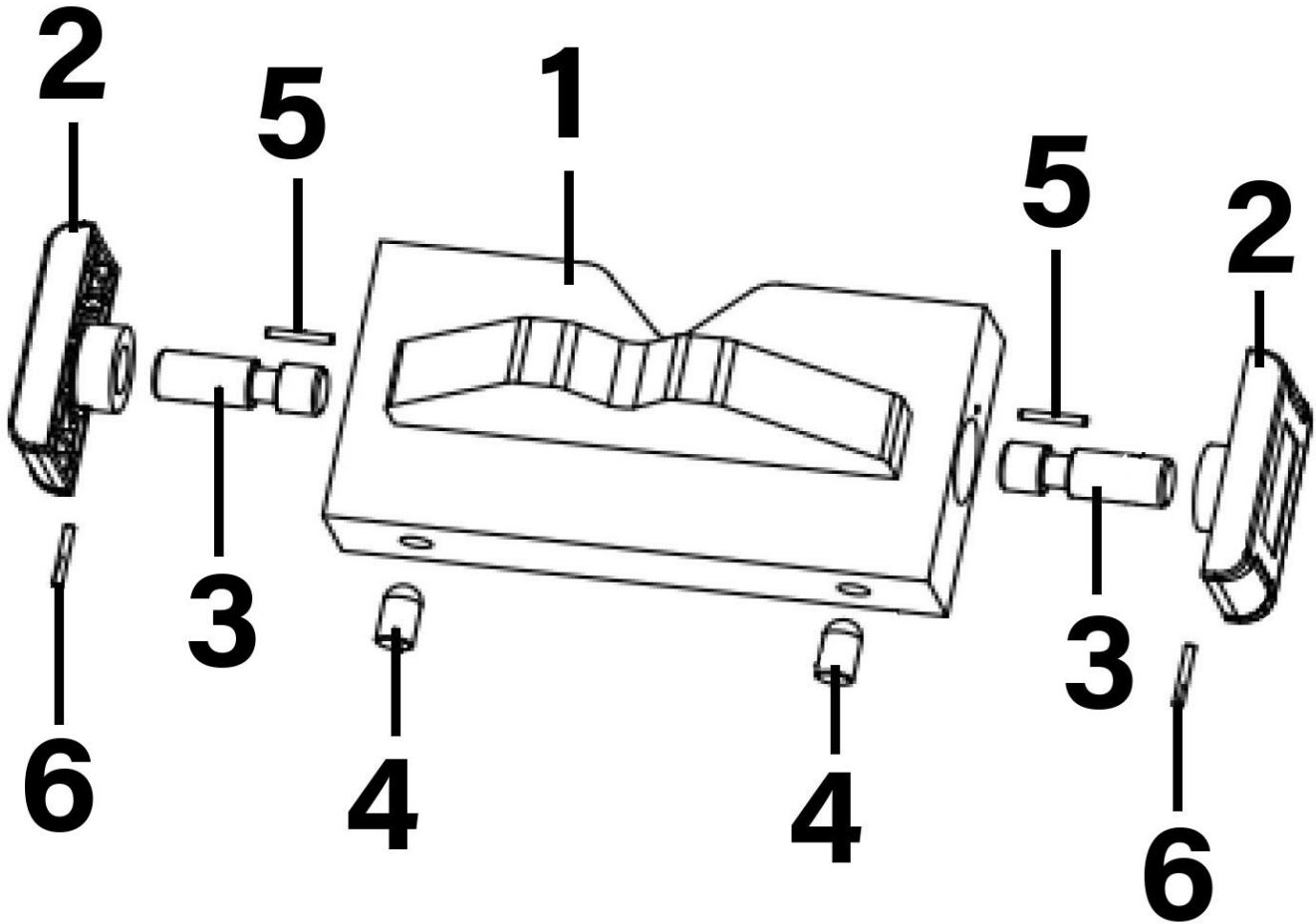
Item	Part No.	Description
1	FUSN-L0190032	Oil Plug Assembly
2	FUSN-L0190053	Manifold Assembly
3	FUSN-L03010039	Oil Plug Screw (C)
4	SB-7.2	Steel Ball 7.2mm
5	SB-5.0	Steel Ball 5.0mm
6	FUSN-L0180012	Steel Ball Holder
7	SA57.32	O-Ring (12.29 x 8.73 x 1.78mm)
8	FUSN-L0190010	Pressure Release Rod
9	FUSN-L07Y184	Pressure Release Limit Plate
10	MSP58.SB	Machine Screw Pan Head Phillips M5 x 8mm Black
11	FUSN-L03010004	Oil Plug Screw (B)
12	FUSN-L03010063	Pressure Regulating Screw
13	FUSN-L05020030	Pressure Regulating Spring
14	FUSN-L05020076	Low Pressure Regulating Screw

Item	Part No.	Description
15	FUSN-L0190157	Valve (Cone)
16	FUSN-L05020045	Spring
17	FUSN-L02030013	Seal B3
18	FUSN-L02020028	Locking O-Ring (Ø8 x 12 x 5mm)
19	FUSN-L05100017	Internal Circlip
20	SB-5.5	Steel Ball 5.5mm
21	FUSN-L05020044	Spring
22	FUSN-L0190035	Pump Plunger Assembly (Small)
23	FUSN-L02010064	X-Ring Seal
24	FUSN-L0190013	Pump Plunger Assembly (Large)
25	FUSN-L09001	Oil Hose Joint Elbow
26	SB-8.0	Steel Ball 8.0mm
27	FUSN-L05020053	Oil Plug Spring (B)
--	PPF30S-PSK	Seal Kit for Pump Assembly (Not Shown)

NOTE: It is our policy to continually improve products and as such we reserve the right to alter data, specifications and component parts without prior notice. There may be alternative versions of this product, please contact us should you require this information.

IMPORTANT: No liability is accepted for incorrect use of product. Spare parts must be fitted by a competent person

WARRANTY: Guarantee is 12 months from purchase date, proof of which will be required for any claim.



Item	Part No.	Description
1	FUSN-L0190064S	V-Block
2	FUSN-L06097	V-Block End Cover (30 Tonne)
3	FUSN-L0190118	Rotating Shaft for V-Block End Cover

Item	Part No.	Description
4	FUSN-L03010090	Grub Screw M10 x 16mm
5	FUSN-L03100017	Spring Pin Ø2.5 x 16mm
6	FUSN-L0190114	Spring Pin Ø2.5 x 25mm

NOTE: It is our policy to continually improve products and as such we reserve the right to alter data, specifications and component parts without prior notice. There may be alternative versions of this product, please contact us should you require this information.

IMPORTANT: No liability is accepted for incorrect use of product. Spare parts must be fitted by a competent person

WARRANTY: Guarantee is 12 months from purchase date, proof of which will be required for any claim.